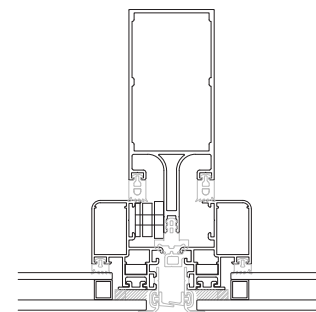


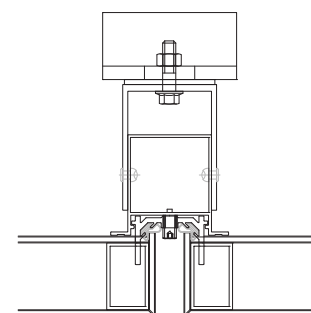
2003 - 2004

Negar Tower

Location	Tehran - Iran
Fabricator Installer	Alumin Co.
Total Area	143000 ft ²
ACP Area	81000 ft ²
Framless Curtain Wall Area	62000 ft ²
Monorail Climbers	754 ft
BMU	3 units



Aluminum Composite Panel Detail



Curtain Wall Detail

